
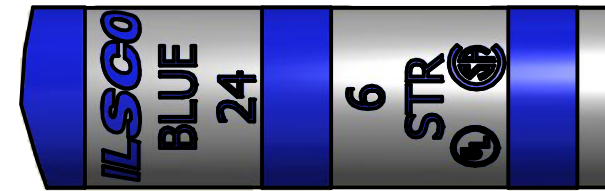
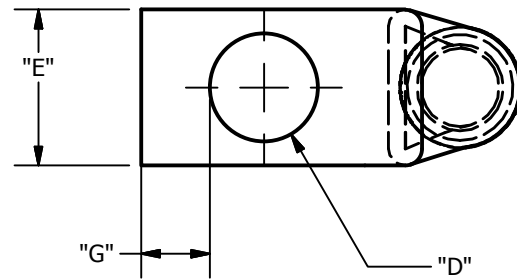
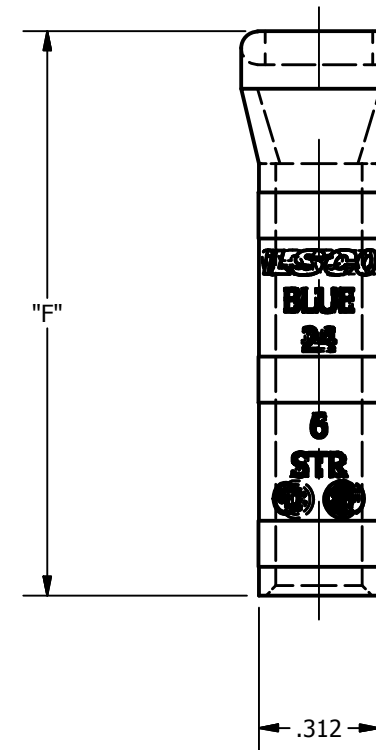
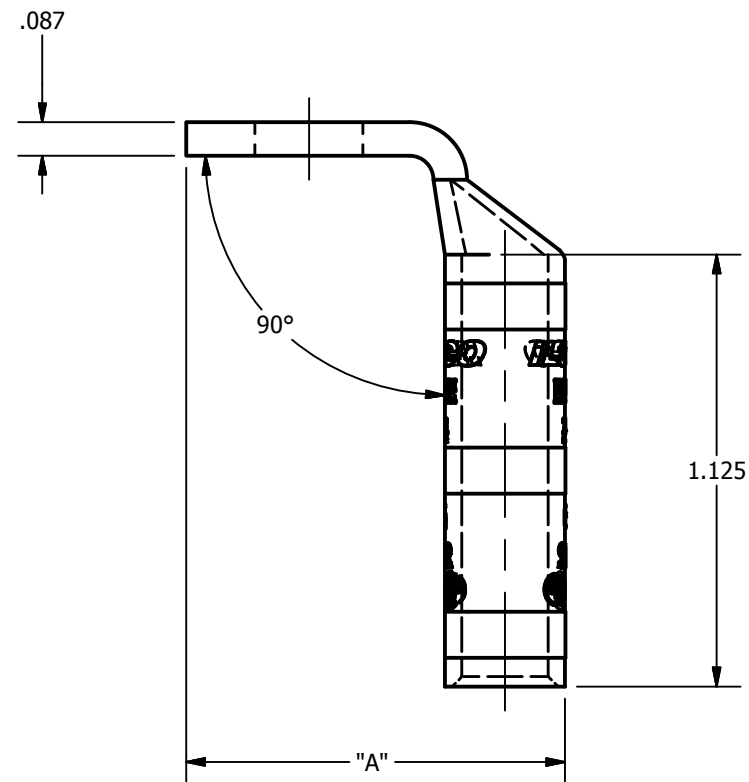


SCREW: NONE	MATERIAL: COPPER	REV: G	 800-776-9775 www.ilSCO.com
CAT. NO.: SEE CHART	PLATING: EL-TIN	DRAWN BY: DW SCALE: NTS	
INFORMATION SHEET: FORM 157	MARKING: SEE CHART	DATE: 6/3/2008 SIZE: B	
			DWG NO: Y0203-S-9
			SHEET: 1 OF 1



DETAIL C
INK MARK TOP & BOTTOM



CATALOG NUMBER	"A"	"D"	"E"	"F"	"G"	TANG MARKING
CLNB-6-8-9	0.985	0.195	0.440	1.515	0.129	UL, ILSCO, CSA, CLNB-6-8-9, 8, 6 STR, DIE 24
CLNB-6-10-9	0.985	0.219	0.440	1.515	0.148	UL, ILSCO, CSA, CLNB-6-10-9, 10, 6 STR, DIE 24
CLNB-6-14-9	1.103	0.281	0.440	1.520	0.180	UL, ILSCO, CSA, C-6-14-9, 6 STR
CLNB-6-12-9	1.673	0.562	0.750	1.520	0.265	UL, ILSCO, CSA, CLNB-6-12-9, 1/2, 6 STR, DIE 24
CLNB-6-38-9	1.298	0.406	0.593	1.520	0.211	UL, ILSCO, CSA, CLNB-6-38-9, 6 STR, DIE 24
CLNB-6-516-9	1.298	0.343	0.532	1.520	0.180	UL, ILSCO, CSA, CLNB-6-516-9, 5/16, 6 STR, DIE 24